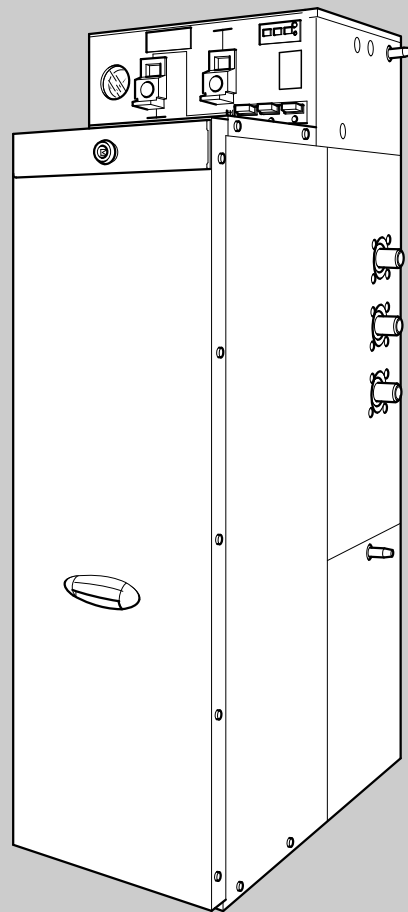


SF₆-insulated, extensible ring cable panel

Type GAE630 -1KB-/4/ for accessible switchgear rooms
for rated voltages of up to 24 kV
with horizontal bushing arrangement

OPERATING INSTRUCTIONS





These operating instructions must only be used as a supplement to operating instructions „SF₆-insulated, extensible ring cable panel, Type GAE630 -1K-/3/“ (No. 12244745).

All notes and safety relevant instructions listed in these operating instructions must also be complied with during installation, assembly, operation and maintenance of the ring cable panel type GAE630 -1KB-/4/!

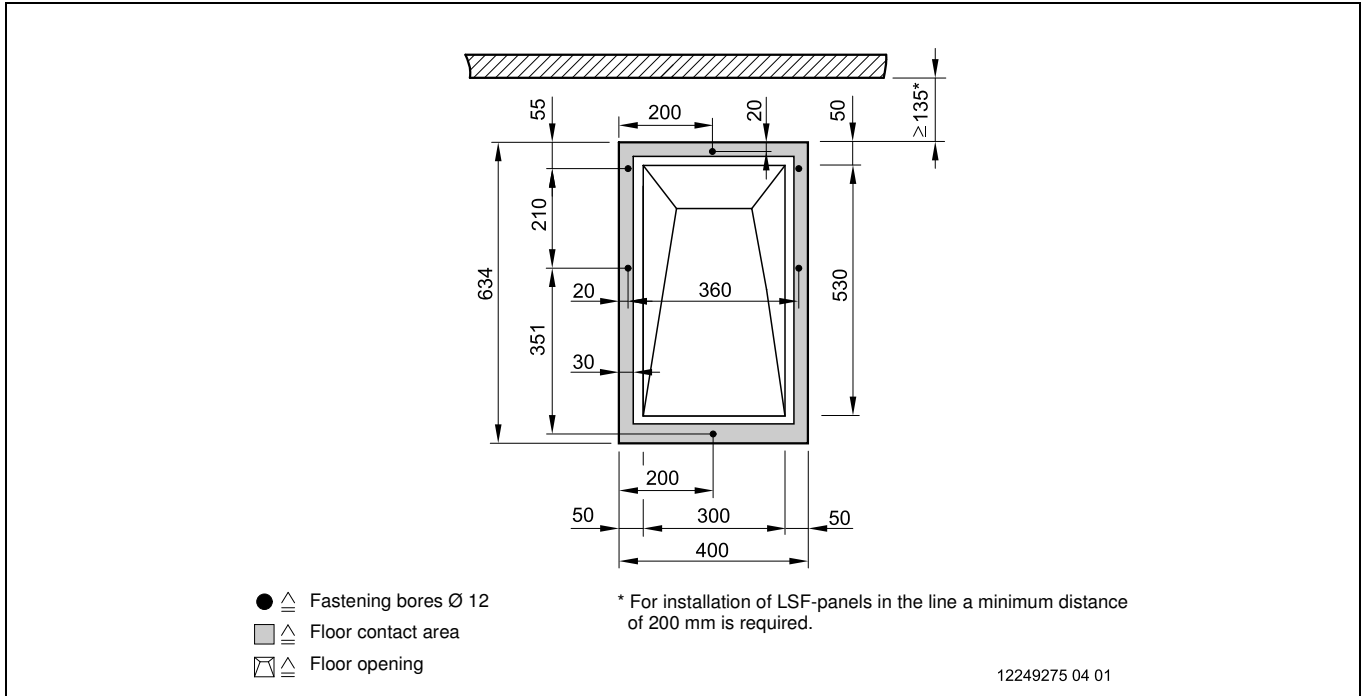


Fig. 1 Floor fastening measurements (all dimensions are nominal dimensions [mm])
 GAE630 -1KB-/4/ with pressure relief into cable cellar / cable trench

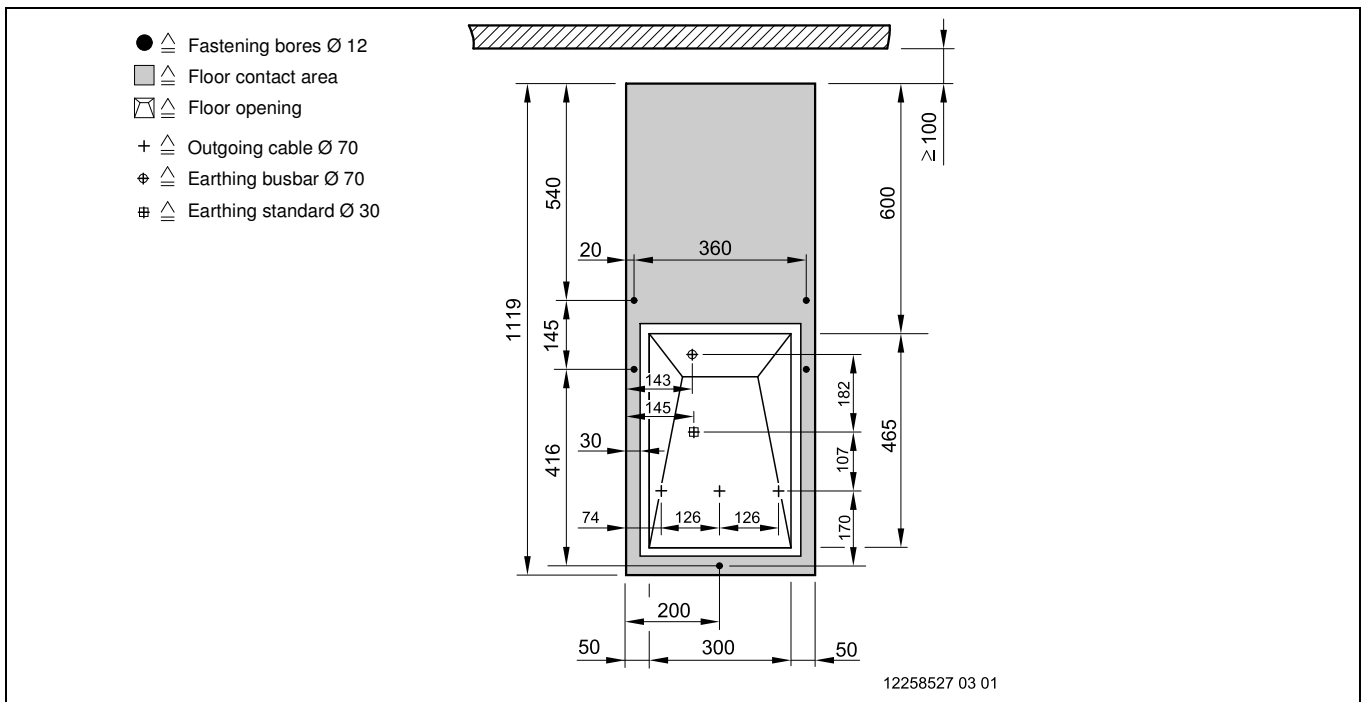


Fig. 2 Floor fastening measurements (all dimensions are nominal dimensions [mm])
 GAE630 -1KB-/4/ with pressure relief via pressure absorber channel

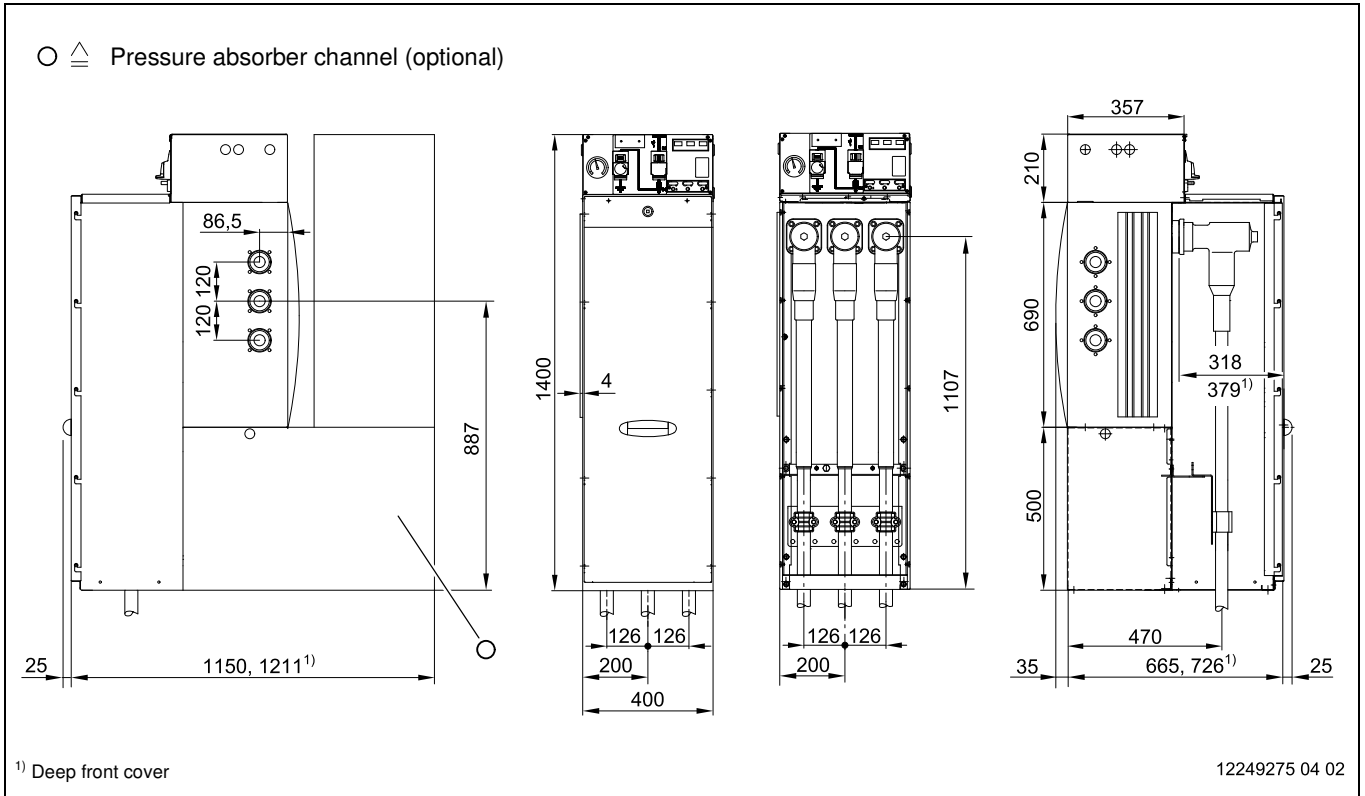


Fig. 3 Dimensions (all dimensions are nominal dimensions [mm])

The external and internal design of the ring cable panel GAE630 -1KB-/4/ is almost identical with the cable panel GAE630 -1K-/3/. Rear pressure absorber channels are available on request. In combination with metal absorbers these absorber channels allow an installation of the switchgear on closed floors. The pressure relief takes place towards the top on the back side. This version also meets the standard: internal arc classification IAC AFL 20 kA 1 s.

Technical data GAE630 -1KB-/4/

General data

Nominal filling pressure of insulating gas at 20 °C and 101.3 kPa	130 kPa (30 kPa overpressure)	
Insulating gas	SF ₆	
Nominal density of the insulating gas	7.9 kg/m ³	
Ambient temperature	without secondary equipment	-25 to +40 °C (-40 to +40 °C on request)
	with secondary installations ¹⁾	-5 to +40 °C (-25 to +40 °C on request)
	with reduced rated currents	over +40 °C
Relative humidity	max. 95% (indoor conditions)	
Enclosure of the HV compartment	sealed pressure system acc. to IEC, IP 65/IP4X	
Enclosure of the drive housing	IP44	
Enclosure of the connection compartment	IP44	
Internal arc classification according to VDE 0671 part 200 or IEC 62271-200 respectively	IAC AFL 20 kA 1 s for HV compartment and connection compartment	
Coloration of equipment	RAL 7035 (light grey)	
Loss of service continuity category	LSC 2A	
Partition class	PM	
Weight	approx. 145 kg (approx. 235 kg with pressure absorber channel)	

1) dependent on the secondary technology used

Rated values

		Switch	Earthing switch
Rated frequency	f_r	50/60 Hz	50/60 Hz
Rated voltage	U_r	12/24 kV	12/24 kV
Rated normal current	I_r	630 A	-
Rated short-duration power-frequency withstand voltage 1 min	U_d	50 kV	50 kV
Rated lightning impulse withstand voltage	U_w	125 kV	125 kV
Rated lightning impulse withstand voltage of the isolating gap	U_p	145 kV	-
Rated mainly active load-breaking current	I_1	630 A	-
Rated cable-charging breaking current	I_{4a}	50 A	-
Rated earth fault breaking current	I_{6a}	160 A	-
Rated cable- and line-charging breaking current under earth fault conditions	I_{6b}	100 A	-
Rated peak withstand current	I_p	50 kA	50 kA
Rated short-time withstand current 1 s, optionally 3 s	I_K	20 kA	20 kA
Rated short-circuit making current	I_{ma}	50 kA	50 kA
Number of switching operations under rated mainly active load-breaking current	n	100	-
Number of switching operations under rated short-circuit making current	n	5	5
Number of mechanical switching operations	n	1000	1000
Class	-	E3 M1	E2



Ormazabal Anlagentechnik GmbH

Am Neuerhof 31
D-47804 Krefeld

Tel.: +49 2151 7151-0
Fax: +49 2151 7151-75
E-Mail: anlagentechnik@ormazabal.de
Internet: www.ormazabal.de