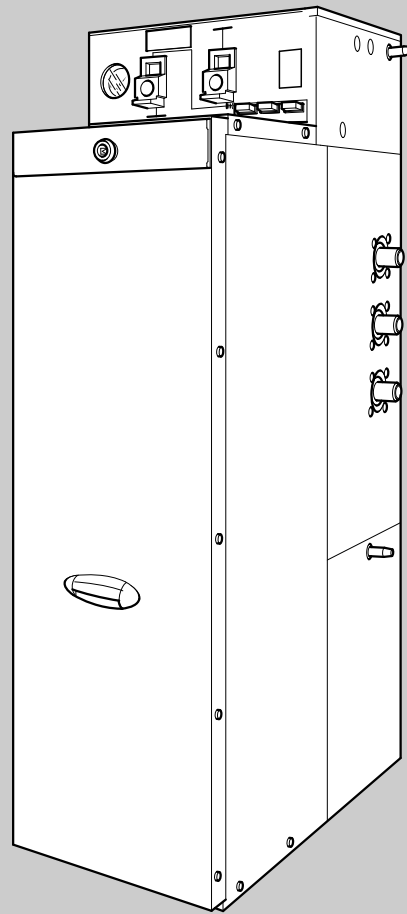


# SF<sub>6</sub>-insulated, modular busbar voltage metering panel

Type GAE630 -1M3-/4/ for accessible switchgear rooms  
for rated voltages of up to 24 kV

OPERATING INSTRUCTIONS



**!** These operating instructions must only be used as a supplement to operating instructions „SF<sub>6</sub>-insulated, extensible ring cable panel, Type GAE630 -1K-/3/“ (No. 12244745). All notes and safety relevant instructions listed in these operating instructions must also be complied with during installation, assembly, operation and maintenance of the busbar voltage metering panel Type GAE630 -1M3-/4/!

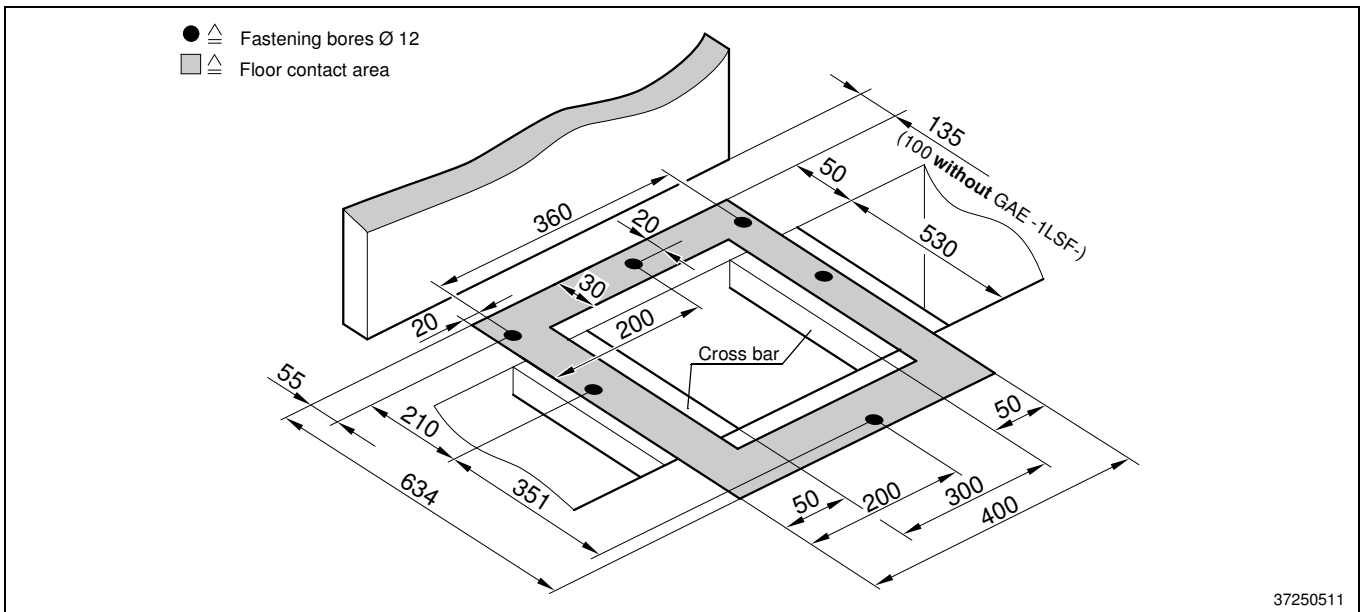


Fig. 1 Planning of installation – floor fastening measurements (measurements in mm)

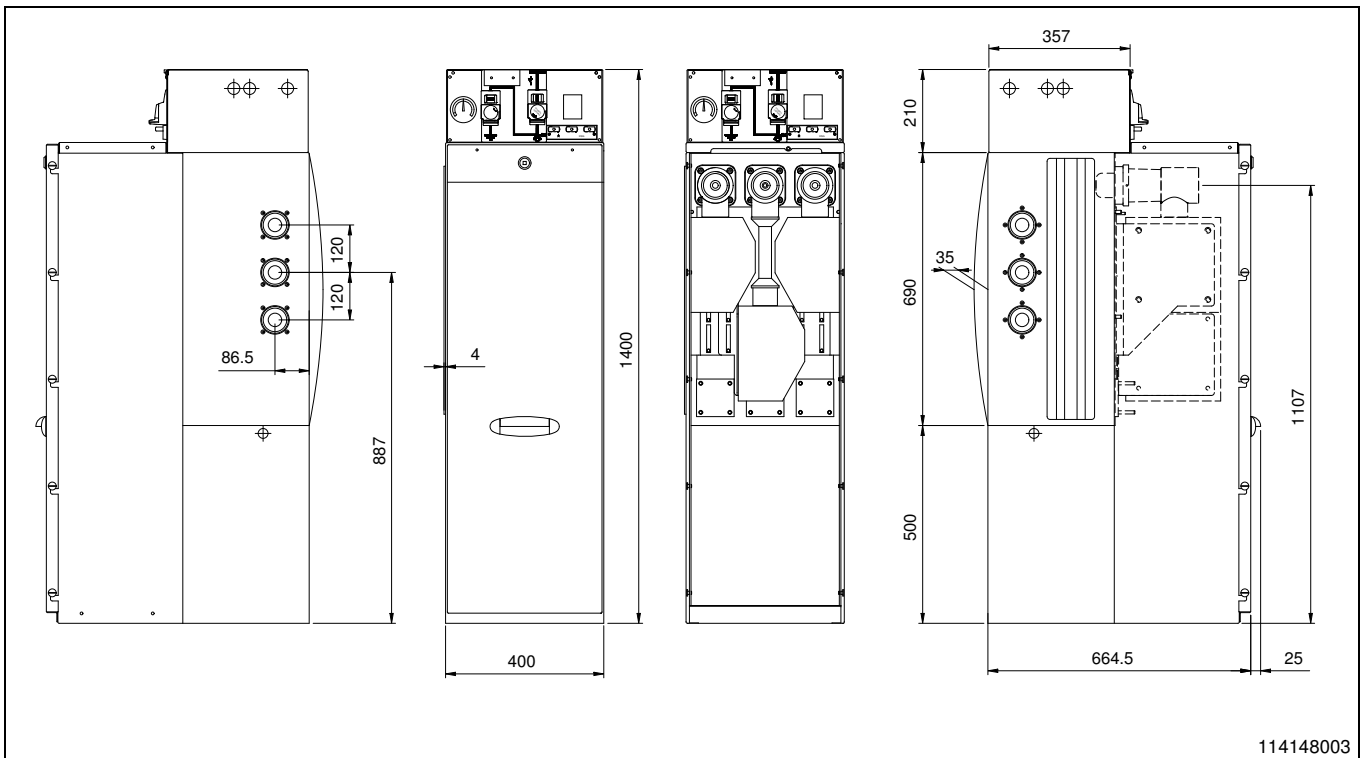


Fig. 2 Planning of installation – measurements (measurements in mm)

The external and internal design of the busbar voltage metering panel GAE630 -1M3-/4/ is almost identical with the cable panel GAE630 -1K-/3/. The cable connection compartment is equipped with three single-pole insulated voltage transformers. The datas of the voltage transformer are depending to the engineering details.

## Technical data of metering panel GAE -1M3-

### General data

Nominal filling pressure of insulating gas at 20 °C and 101.3 kPa	130 kPa (30 kPa overpressure)
Insulating gas	SF <sub>6</sub>
Nominal density of insulating gas	7.9 kg/m <sup>3</sup>
Ambient temperature	-25...+40 °C, on request -40...+55 °C * (rel. humidity max. = 95%)
Enclosure of HV compartment	hermetically welded tank, IP 65/IP4X
Enclosure of the drive housing	IP 3X
Enclosure of connection compartment	IP 3X
Arc-fault qualification according to VDE 0671 part 200 or IEC 62271-200 respectively	IAC AFL 20 kA 1 s for HV compartment and connection compartment
Coloration of equipment	RAL 7035 (light grey)
Loss of service continuity category	LSC 2A
Partition class	PM
Weight	236 kg

\* when using a pressure switch (optional) the operating conditions comply with class minus 5 interior

### Rated values

		Switch	earthing electrode
Rated frequency	$f_r$	50/60 Hz	50/60 Hz
Rated voltage	$U_r$	12/24 kV	12/24 kV
Rated operating current	$I_r$	630 A	-
Rated short-term power-frequency withstand voltage 1 min	$U_d$	50 kV	50 kV
Rated lightning impulse withstand voltage	$U_w$	125 kV	125 kV
Rated lightning impulse withstand voltage of the isolating distance	$U_p$	145 kV	-
Rated peak withstand current (busbar)	$I_p$	50/40 kA	50/40 kA
Rated short-time withstand current (busbar)	$I_K$	20/16 kA **	20/16 kA **
Number of switching operations at rated short-circuit making current	n	5	5
Number of mechanical switching cycles	n	1000	1000
Class	-	E3 M1	E2

\*\* optional 3 sec.



**Ormazabal Anlagentechnik GmbH**

Am Neuerhof 31  
D-47804 Krefeld

Tel.: +49 2151 7151-0  
Fax: +49 2151 7151-75  
E-Mail: [anlagentechnik@ormazabal.de](mailto:anlagentechnik@ormazabal.de)  
Internet: [www.ormazabal.de](http://www.ormazabal.de)