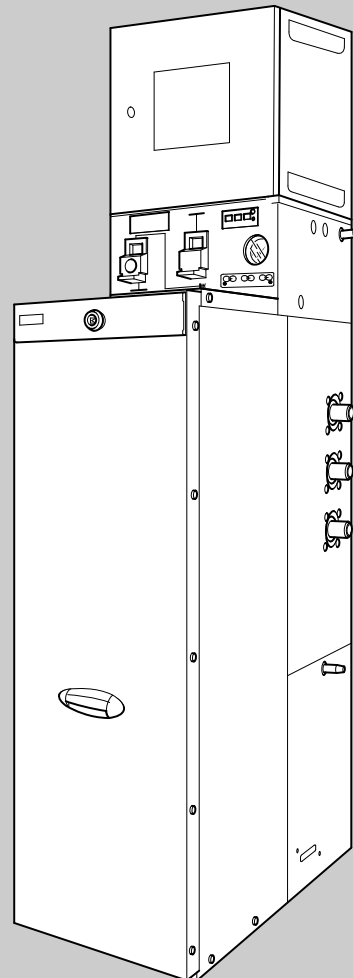


SF₆-insulated, extensible ring cable panel

Type GAE1250 -1K-/4/ for accessible switchgear rooms
for rated voltages of up to 24 kV,
1250 A rated current busbar

OPERATING INSTRUCTIONS





These operating instructions must only be read as a supplement to the operating instructions „SF₆-insulated, extensible ring cable panel, Type GAE630 -1K-/3/“ (No. 12244745). All information and safety relevant instructions and regulations must also be observed when installing, operating and servicing the ring cable panel type GAE1250 -1K-/4/!

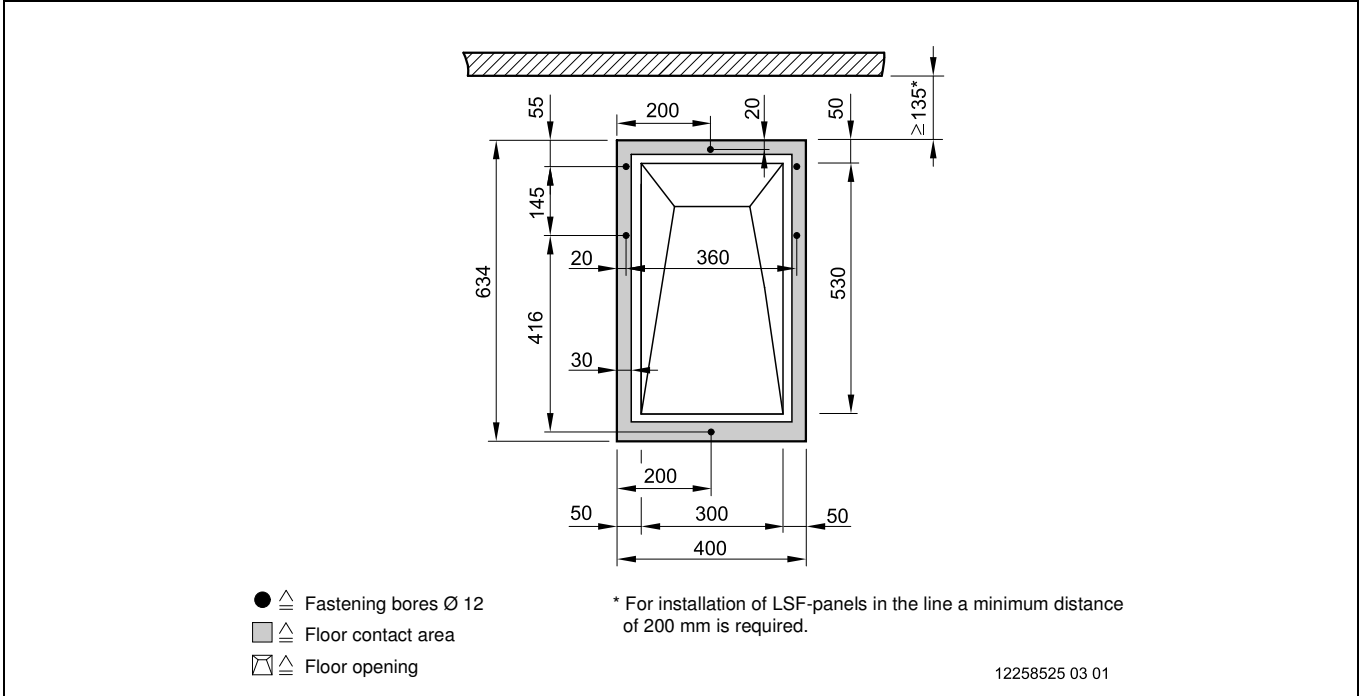


Fig. 1 Floor fastening measurements (all dimensions are nominal dimensions [mm])
 GAE1250 -1K-/4/ with pressure relief into cable cellar / cable trench

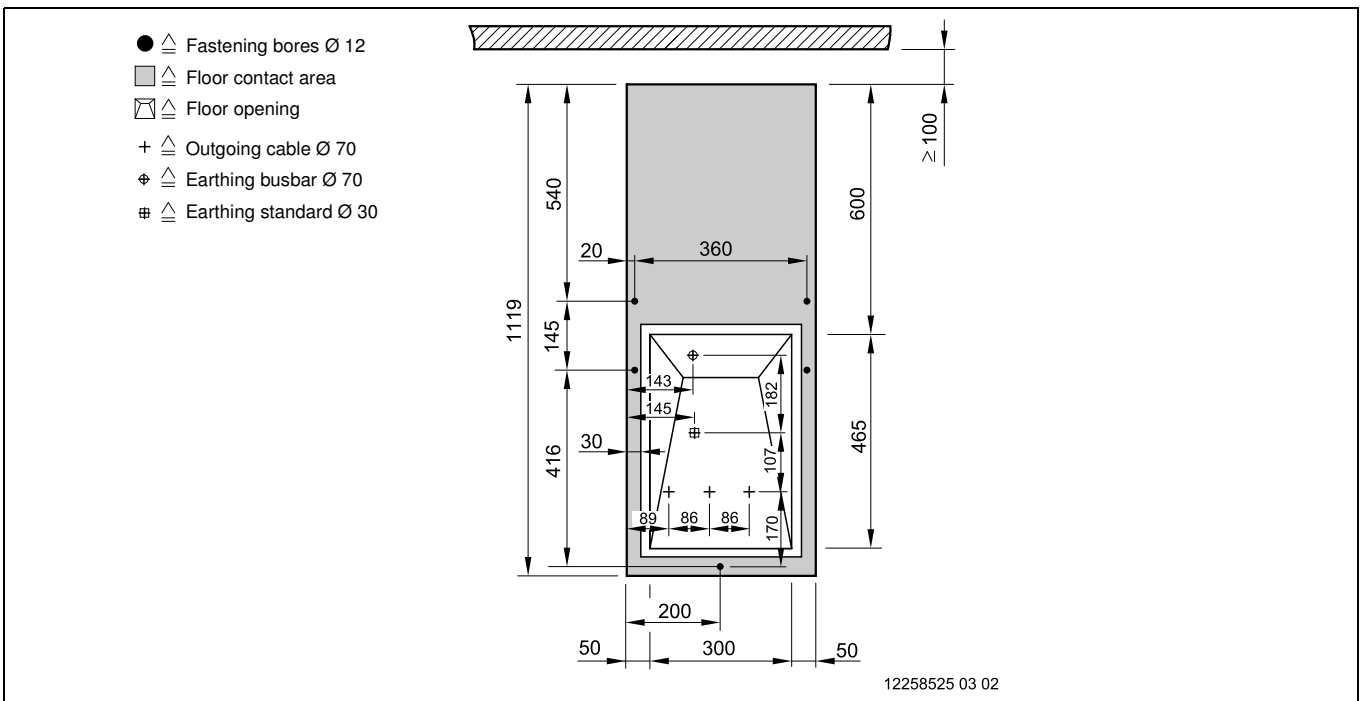


Fig. 2 Floor fastening measurements (all dimensions are nominal dimensions [mm])
 GAE1250 -1K-/4/ with pressure relief via pressure absorber channel

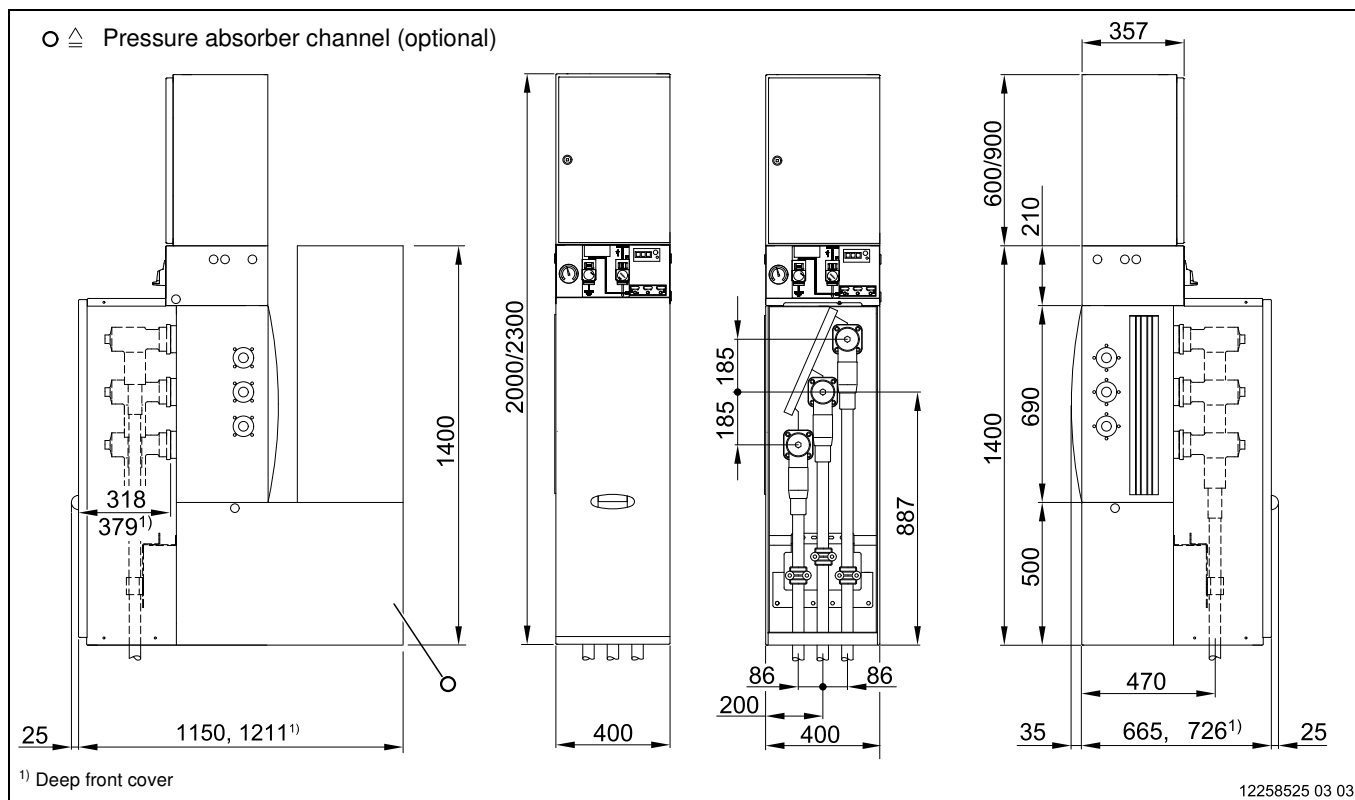


Fig. 3 Dimensions (all dimensions are nominal dimensions [mm])

The external and internal design of the cable panel GAE1250 -1K-/4/ is almost identical with the cable panel GAE630 -1K-/3/.

Rear pressure absorber channels are available on request. In combination with metal absorbers these absorber channels allow an installation of the switchgear on closed floors. The pressure relief takes place towards the top on the back side. This version also meets the standard: arc-fault qualification IAC AFL 20 kA 1 s.

Technical data GAE1250 -1K-/4/

General data

Nominal filling pressure of insulating gas at 20 °C and 101.3 kPa	130 kPa (30 kPa overpressure)
Nominal filling pressure of actuation	120 kPa
Insulating gas	SF ₆
SF ₆ -filling weight	0.62 kg
Nominal density of insulating gas	7.9 kg/m ³
Ambient temperature	-5...+40 °C (rel. humidity max. = 95%)
Enclosure of HV compartment	sealed pressure system acc. to IEC, IP 65/IP4X
Enclosure of the drive housing	IP 4X
Enclosure of cable connection compartment	IP 4X
Arc-fault qualification according to VDE 0671 part 200 or IEC 62271-200 respectively	IAC AFL 20 kA 1 s for HV compartment and connection compartment
Coloration of equipment	RAL 7035 (light grey)
Loss of service continuity category	LSC 2A
Partition class	PM
Weight	approx. 147 kg (approx. 237 kg with pressure absorber channel)

Rated values

		Switch	Earthing switch
Rated frequency	f_r	50/60 Hz	50/60 Hz
Rated voltage	U_r	12/24 kV	12/24 kV
Rated normal current busbar	I_r	1250 A	-
Rated normal current cable connection	I_r	630 A	-
Rated short-duration power-frequency withstand voltage 1 min	U_d	50 kV	50 kV
Rated lightning impulse withstand voltage	U_w	125 kV	125 kV
Rated lightning impulse withstand voltage of the isolating gap	U_p	145 kV	-
Rated mainly active load-breaking current	I_1	630 A	-
Rated cable-charging breaking current	I_{4a}	50 A	-
Rated earth fault breaking current	I_{6a}	160 A	-
Rated cable- and line-charging breaking current under earth fault conditions	I_{6b}	100 A	-
Rated peak withstand current	I_p	50 kA	50 kA
Rated short-time withstand current 1 s, optionally 3 s	I_K	20 kA	20 kA
Rated short-circuit making current	I_{ma}	50 kA	50 kA
Number of switching operations under rated mainly active load-breaking current	n	100	-
Number of switching operations under rated short-circuit making current	n	5	5
Number of mechanical switching operations	n	1000	1000
Class	-	E3 M1	E2

Test specifications

The cable panel is in compliance with the specifications of the following standards and publications:

IEC 60265-1
IEC 60529
IEC 61243-5
IEC 62271-1
IEC 62271-102
IEC 62271-200
IEC/TR 62271-303

DIN EN ISO 9001

BImSchV Federal Gazette 1996, part 1 no. 66 dated 20/12/1996

Accessories

Order-No. 12258706 assembly instructions panel installation GAE1250
Order-No. 12261690 installation kit panel installation GAE1250
Order-No. 12261688 installation kit end panel GAE1250
Order-No. 12238779 extension kit end panel
Order-No. 12260853 extension kit relay enclosure
Order-No. 12261889 installation kit busbar (optional)



Ormazabal Anlagentechnik GmbH

Am Neuerhof 31
D-47804 Krefeld

Tel.: +49 2151 7151-0
Fax: +49 2151 7151-75
E-Mail: anlagentechnik@ormazabal.de
Internet: www.ormazabal.de